



# SECTION 7.1\_KSPOP

## PILOT OPERATED PRESSURE RELIEF VALVE

### INTRODUCTION

**The model KSPOP** is Pilot Operated Relief Valves discharge the volume flow without requiring pressure increase. Basically, Pilot valves are used for the valve shall be highly tight sealed up to the set pressure figures. The pilot valves provide the capacity to meet API standard 2000.

### Setting Pressure

KSPOP Permanent Setting	Min. + 50 mmW.C ~ Max. + 9000 mmW.C
-------------------------	-------------------------------------

**Body Materials** Aluminium, Carbon Steel, SS304 and SS316 with various trims  
(Different materials available on request)

**sizes range** DN 100 ~ DN 305 with ASME 150Lb as Standard  
(Different connections available on request)

**Rules & certifications** API 2000

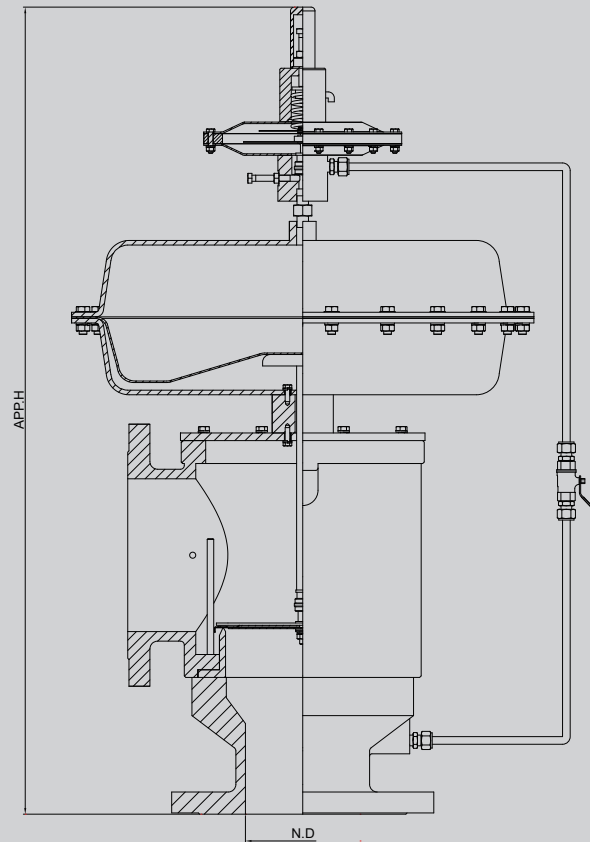
**Optimum / optional Design & Arrangments** Stem Jacket type, Steam Tracing type, Proximity type, Teflon Coating/Lining type

### APPLICATION



## OUTLINE DRAWING

KSPOP



## DIMENSION TABLE

SIZE	4"	6"	8"	10"	12"
N.D	100	150	200	250	300
Approx. H	865	867	870	872	875

**NOTE** Standard Connection(ASME 150Lb flange) and JIS or different types are available upon request.

## COMPONENT MATERIAL

ITEM NO	COMPONENT	BODY	ALUMINIUM	CARBON STEEL	SS304
		TRIM	SS304	SS304	SS304
1	UPPER BODY		B26-319.F	A216-WCB	A351-CF8
2	LOWER BODY		B26-319.F	A216-WCB	A351-CF8
3	CAP		B26-319.F	A216-WCB	A351-CF8
4	PALLET		SS304	SS304	SS304
5	PALLET ARM		SS304	SS304	SS304
6	PALLET ARM STOPPER		N.B.R	N.B.R	N.B.R
7	PALLET HANDLE		SS304	SS304	SS304
8	COUNTER WEIGHT		A216-WCB	A216-WCB	A351-CF8
9	GASKET		NON-ASBESTOS	NON-ASBESTOS	NON-ASBESTOS
10	HEX BOLT		SS304	SS304	SS304
11	SEAL PLUG		SS304	SS304	SS304
12	PLUG SEATING		N.B.R	N.B.R	N.B.R