



SECTION 2.2_KSBBFH/BSFH

PRESSURE VACUUM RELIEF VALVE WITH FLAME ARRESTER

INTRODUCTION

The model KSBBFH and BSFH pressure vacuum valves with flame arrester are an advanced design for vent to atmosphere applications. Designed, manufactured and tested according to the API 2000 code, BS7244, and ISO16852. These valves utilize the latest technologies to provide protection against positive or vacuum over pressure and prevent air intake, evaporative losses of product and help to contain odorous and potentially explosive vapors.

Setting Pressure

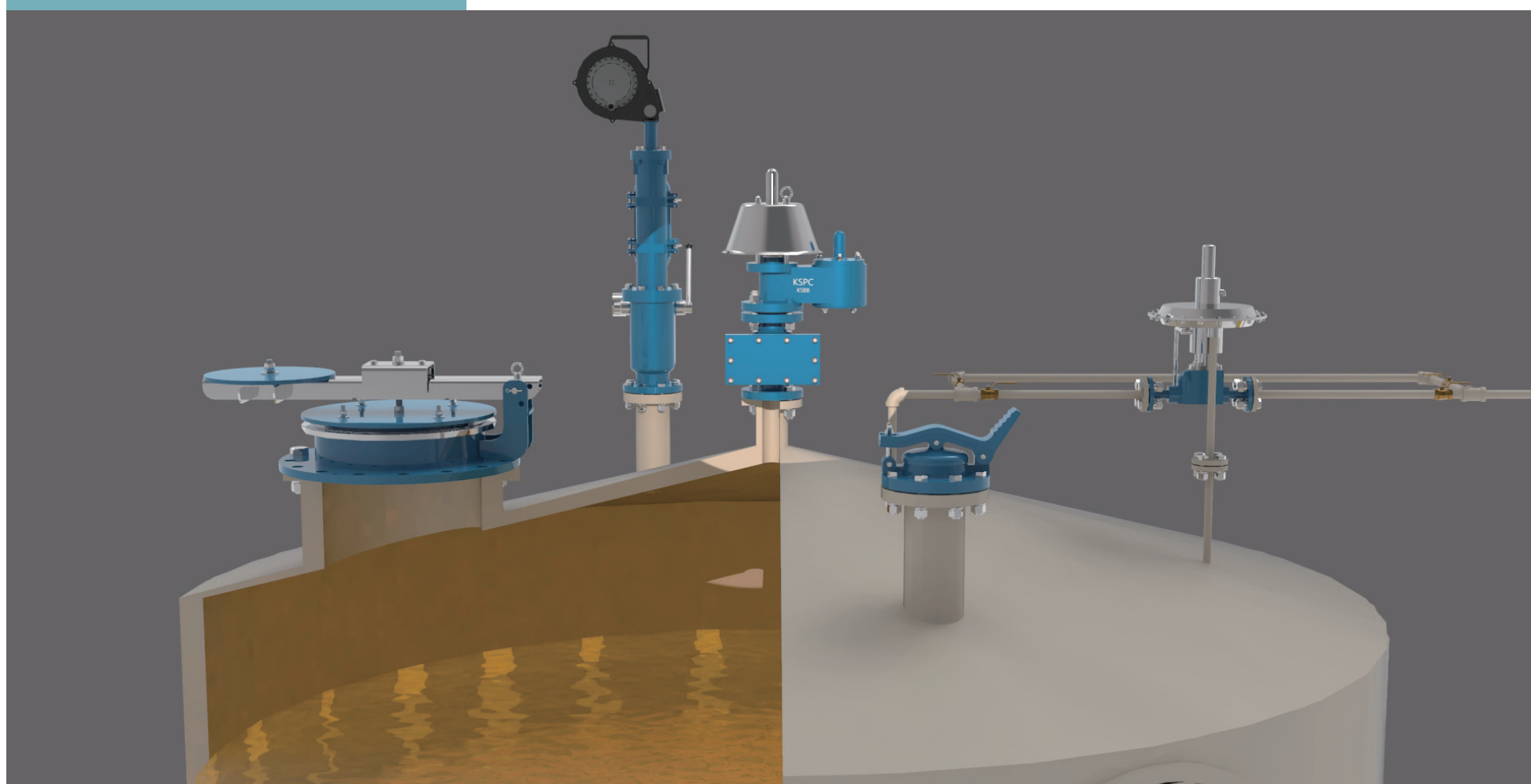
KSBBFH Weight Loaded model	Min. +/- 20 mmW.C ~ Max. + 700/- 430 mmW.C
KSBSFH Spring Loaded model	Min. + 700/- 430 mmW.C ~ Max. +/- 9,000 mmW.C

Body Materials Aluminium, Carbon Steel, SS304 and SS316 with various trims
(Different materials available on request)

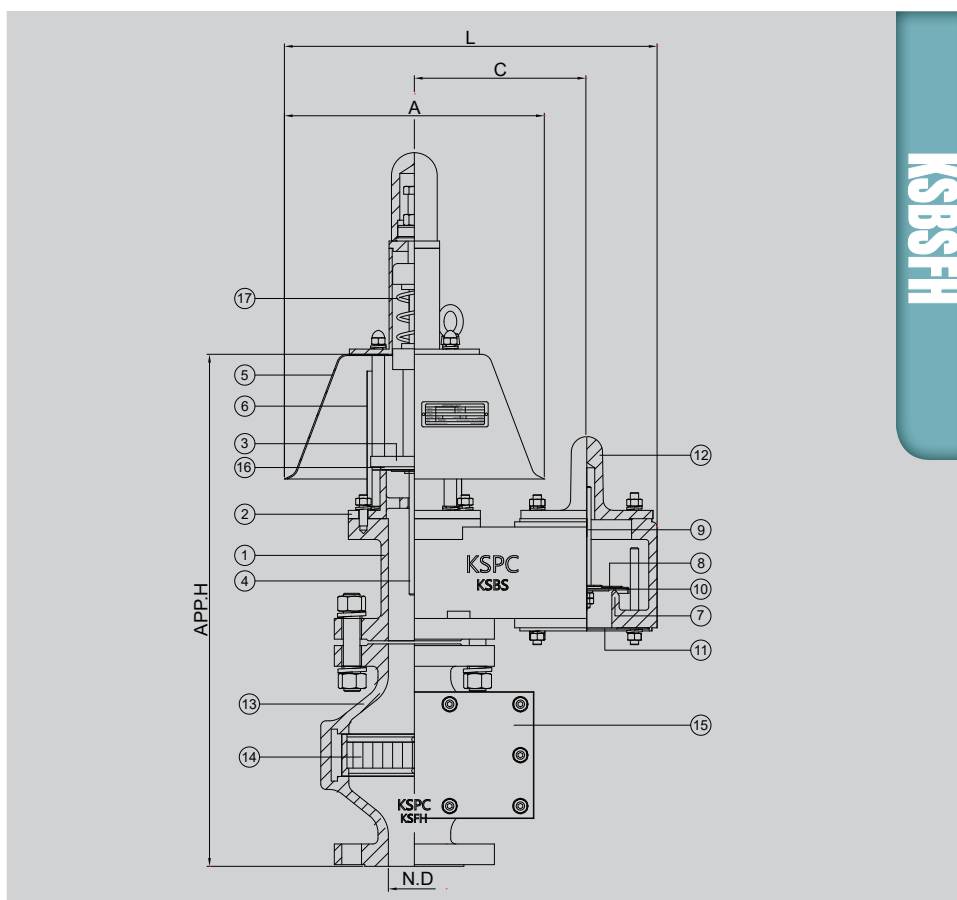
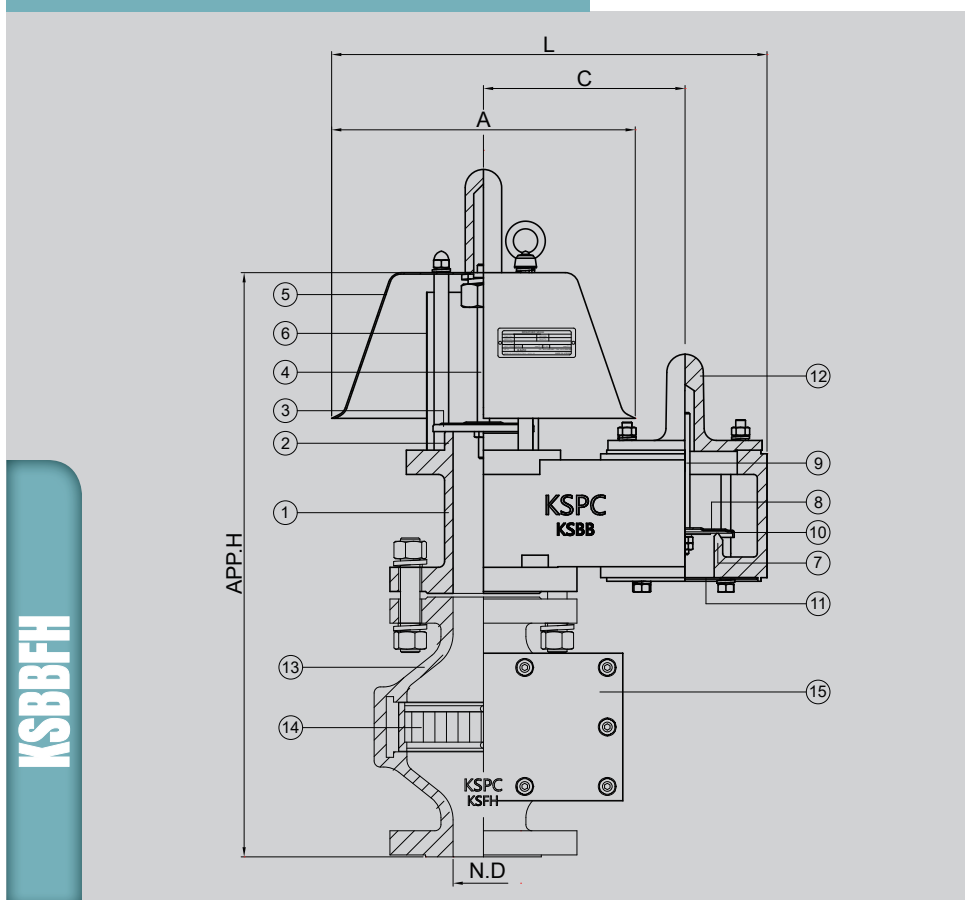
sizes range DN 50 ~ DN 350 with ASME 150Lb flanges as standard
(Different connections available on request)

Rules & certifications API 2000, BS7244 / ISO16852 & ATEX / KFI
Flame cell : NEC group D (=IIA), group C(=IIB3) and group B(=IIC), ETC.

APPLICATION



OUTLINE DRAWING



DIMENSION TABLE

SIZE	2"	3"	4"	6"	8"	10"	12"	14"
N.D	50	80	100	150	200	250	300	350
A	250	294	324	440	476	544	620	685
L	359	446	485	627	742	861	978	1125
C	165	206	230	283	348	406	466	542
Approx. H	491	550	600	700	757	866	931	1135

NOTE Standard Connection(ASME 150Lb flange) and JIS or different types are available upon request.

COMPONENT MATERIAL

ITEM NO	COMPONENT	BODY	ALUMINIUM	CARBON STEEL	SS304	SS316
		TRIM	SS304	SS304	SS304	SS316L
1	BODY-1		B26-319.F	A216-WCB	A351-CF8	A351-CF8M
2	PRESSURE SEAT		B26-319.F/A351-CF8	A351-CF8	A351-CF8	A351-CF8M
3	PRESSURE DISC		SS304	SS304	SS304	SS316L
4	PRESSURE STEM		SS304	SS304	SS304	SS316
5	WEATHER HOOD		SS304	SS304	SS304	SS316L
6	PRESSURE SCREEN		SS304	SS304	SS304	SS316
7	VACUUM SEAT		B26-319.F	A216-WCB	A351-CF8	A351-CF8M
8	VACUUM DISC		SS304	SS304	SS304	SS316L
9	VACUUM STEM		SS304	SS304	SS304	SS316
10	DIAPHRAGM		TEFLON			
11	VACUUM SCREEN		SS304	SS304	SS304	SS316
12	VACUUM COVER		B26-319.F	CARBON STEEL	SS304	SS316/316L
13	BODY-2		B26-319.F	A216-WCB	A351-CF8	A351-CF8M
14	ELEMENT		SS316L			
15	ELEMENT COVER		ALUMINIUM	CARBON STEEL	SS304	SS316L
16	O-RING		VITON			
17	SPRING		SS304	SS304	SS304	SS316

KSBBFH

KSBSFH

Section 2.2
KSBBFH/BSFH