

SECTION 1.3_KSBBJ/BSJ

PRESSURE VACUUM RELIEF VALVE WITH STEAM JACKET

INTRODUCTION

The model KSBBJ and KSBJS pressure vacuum valves are an advanced design for vent to atmosphere applications. Designed, manufactured and tested according to the API 2000 code, these valves utilize the latest technologies to provide protection against positive or vacuum over pressure and prevent air intake, evaporative losses of product and help to contain odorous and potentially explosive vapours.

Setting Pressure

KSBBJ Weight Loaded model	Min. +/- 20 mmW.C ~ Max. + 700/- 430 mmW.C
KSBJS Spring Loaded model	Min. + 700/- 430 mmW.C ~ Max. +/- 9,000 mmW.C

Body Materials Carbon Steel, SS304 and SS316 with various trims
(Different materials available on request)

Sizes range DN 50 ~ DN 350 with ASME 150Lb flanges as standard
(Different connections available on request)

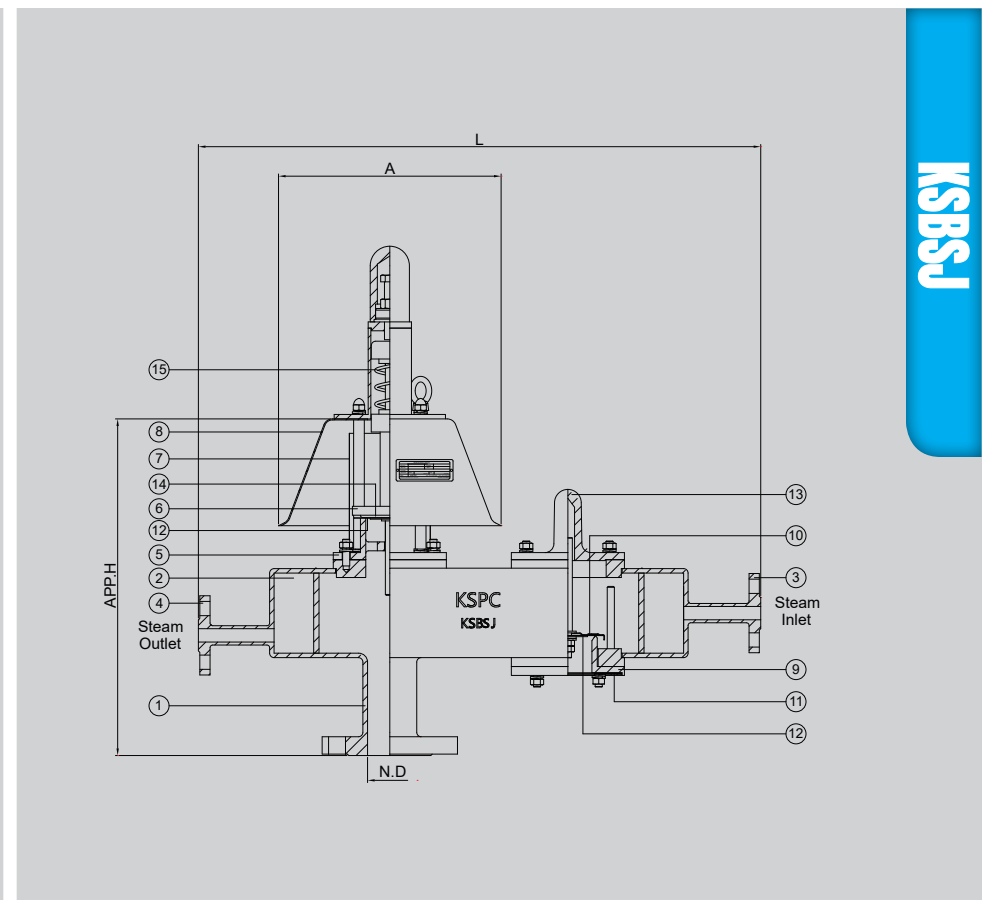
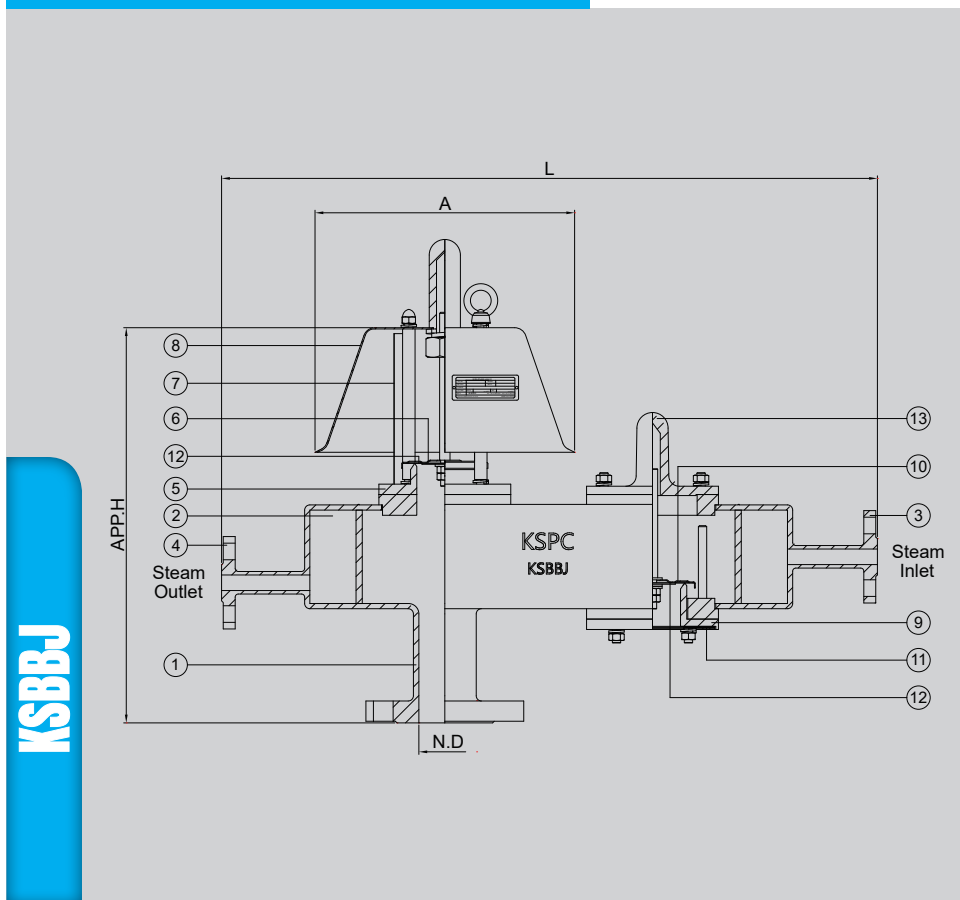
Rules & Certifications API 2000 & KFI

Optimum / Optional Design & Arrangements Stem Jacket type, Steam Tracing type, Proximity type, Teflon Coating/Lining type

APPLICATION



OUTLINE DRAWING



KSBSJ



Section 1.3
KSBBJ/BSJ

DIMENSION TABLE

SIZE	2"	3"	4"	6"	8"	10"	12"
N.D	50	80	100	150	200	250	300
A	250	294	324	440	476	544	620
L	640	700	730	870	970	1070	1170
Approx. H	370	385	410	470	560	650	750

NOTE Standard Connection(ASME 150Lb flange) and JIS or different types are available upon request.

COMPONENT MATERIAL

ITEM NO	COMPONENT	BODY	CARBON STEEL	SS304	SS316
		TRIM	SS304	SS304	SS316/316L
1	BODY		CARBON STEEL	SS304	SS316L
2	STEAM JACKET		CARBON STEEL	SS304	SS316L
3	STEAM INLET FLANGE		A105	A182-F304	A182-F316
4	STEAM OUTLET FLANGE		A105	A182-F304	A182-F316
5	PRESSURE SEAT		A351-CF8	A351-CF8	A351-CF8M
6	PRESSURE DISC		SS304	SS304	SS316L
7	PRESSURE SCREEN		SS304	SS304	SS316
8	WEATHER HOOD		SS304	SS304	SS316L
9	VACUUM SEAT		A351-CF8	A351-CF8	A351-CF8M
10	VACUUM DISC		SS304	SS304	SS316L
11	VACUUM SCREEN		SS304	SS304	SS316
12	DIAPHRAGM		TEFLON		
13	VACUUM COVER		CARBON STEEL	SS304	SS316L
14	O-RING		VITON		
15	SPRING		SS304	SS304	SS316