



## SECTION 1.6\_KSBD/DS

# PRESSURE RELIEF VALVE WITH PIPE AWAY

### INTRODUCTION

**The model KSBD and KSDS** pressure valves are an advanced design for pipe away applications. Designed, manufactured and tested according to the API 2000 code. Utilize the latest technologies to provide protection against positive or vacuum over pressure and prevent air intake, evaporative losses of product and help to contain odorous and potentially explosive vapours.

### Setting Pressure

KSBD Weight Loaded model	Min. 20 mmW.C ~ Max. 700 mmW.C
KSDS Spring Loaded model	Min. 700 mmW.C ~ Max. 9,000 mmW.C

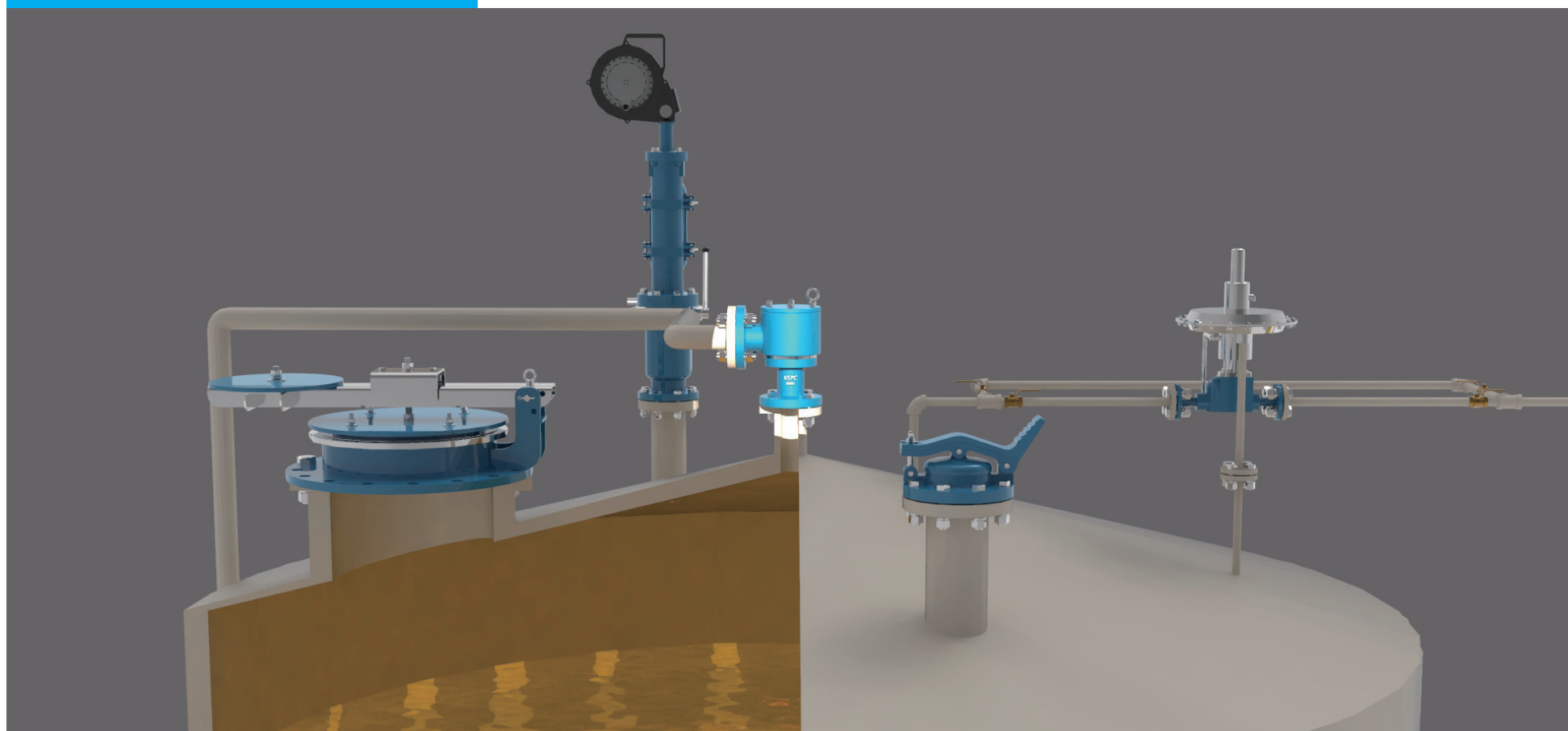
**Body Materials** Aluminium, Carbon Steel, SS304 and SS316 with various trims  
(Different materials available on request)

**Sizes range** DN 50 ~ DN 350 with ASME 150Lb flanges as standard  
(Different connections available on request)

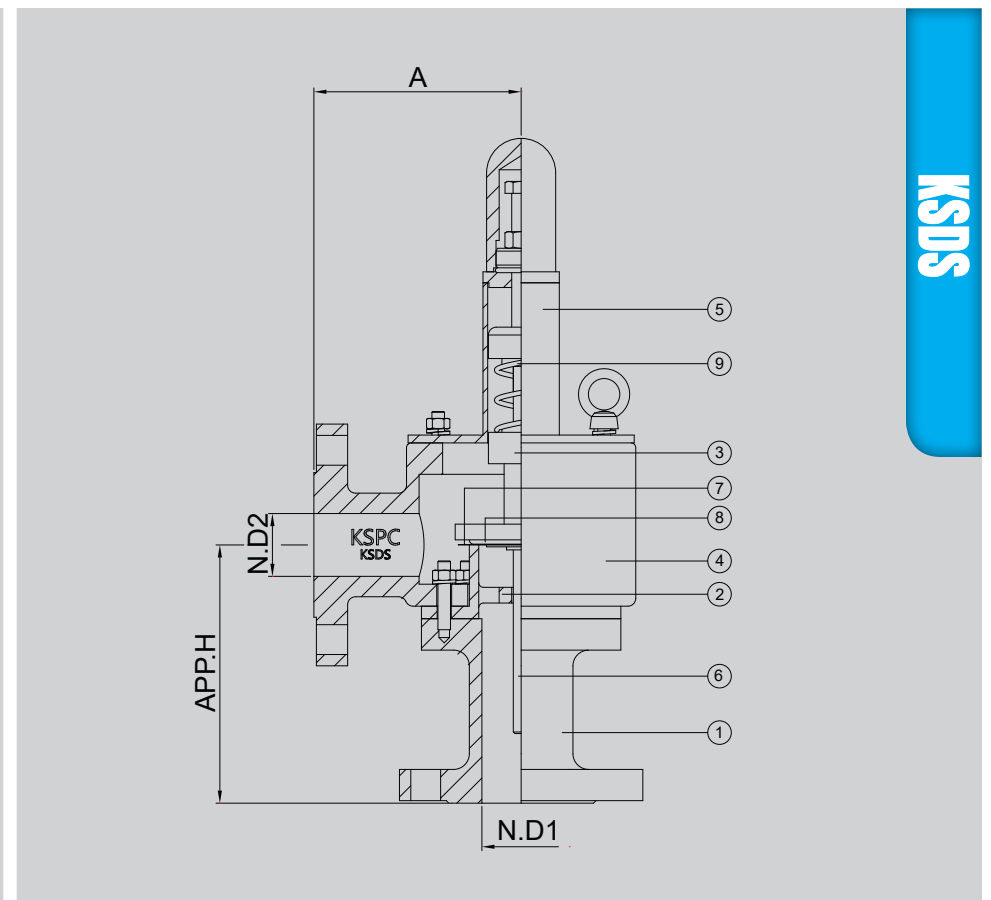
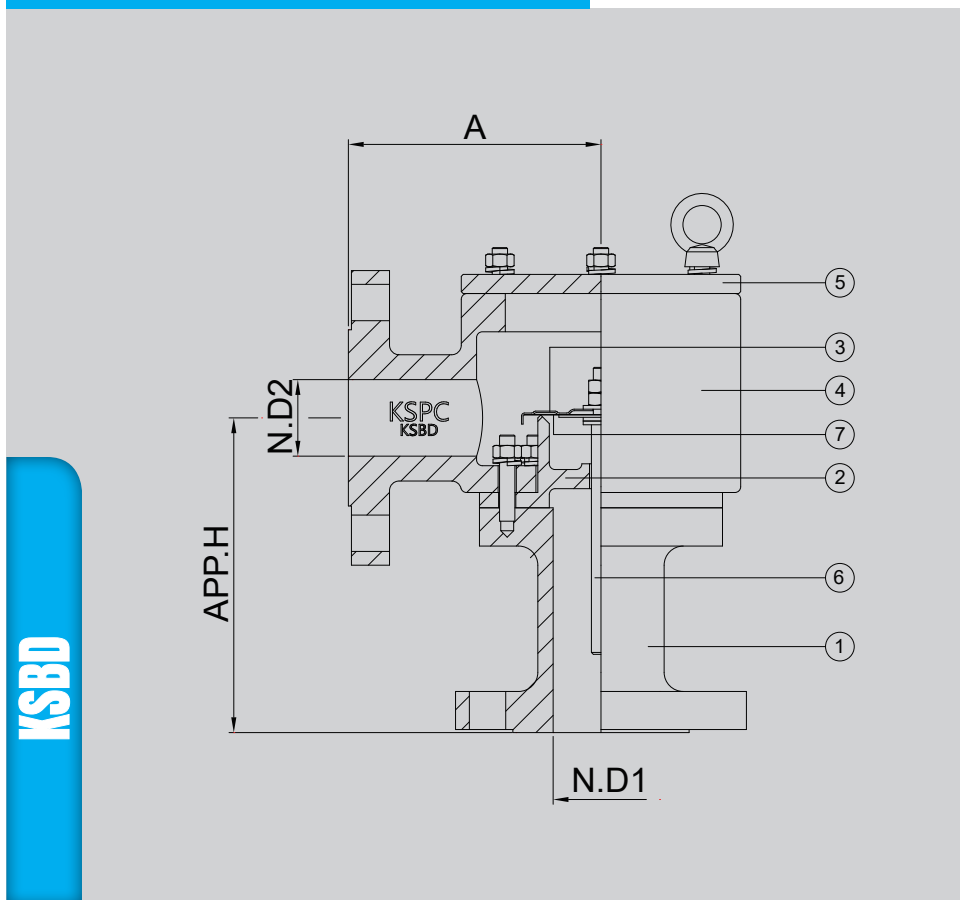
**Rules & Certifications** API 2000 & ATEX / KFI

**Optimum / Optional Design & Arrangements** Stem Jacket type, Steam Tracing type, Proximity type, Teflon Coating/Lining type

### APPLICATION



## OUTLINE DRAWING



KS  
DS

Section 1.6  
KSBD/DS

## DIMENSION TABLE

SIZE	2" X 2"	3" X 3"	4" X 4"	6" X 6"	8" X 8"	10" X 10"	12" X 12"	14" X 14"
N.D 1	50	80	100	150	200	250	300	350
N.D 2	50	80	100	150	200	250	300	350
A	132	171	184	223	258	279	329	415
Approx. H	165	201	234	264	289	315	347	389
SIZE	2" X 3"	3" X 4"	4" X 6"	6" X 8"	8" X 10"	10" X 12"	12" X 14"	14" X 16"
N.D 1	50	80	100	150	200	250	300	350
N.D 2	80	100	150	200	250	300	350	400
A	142	172	189	228	258	290	343	420
Approx. H	188	211	261	288	314	342	370	414

**NOTE** Standard Connection(ASME 150Lb flange) and JIS or different types are available upon request.

## COMPONENT MATERIAL

ITEM NO	COMPONENT	BODY	ALUMINIUM	CARBON STEEL	SS304	SS316
		TRIM	SS304	SS304	SS304	SS316L
1	BODY-1		B26-319.F	A216-WCB	A351-CF8	A351-CF8M
2	SEAT		B26-319.F	A351-CF8	A351-CF8	A351-CF8M
3	DISC		SS304	SS304	SS304	SS316L
4	BODY-2		B26-319.F	A216-WCB	A351-CF8	A351-CF8M
5	COVER		ALUMINIUM	CARBON STEEL	SS304	SS316L
6	STEM		SS304	SS304	SS304	SS316L
7	DIAPHRAGM		TEFLON			
8	O-RING		VITON			
9	SPRING		SS304	SS304	SS304	SS316