

SECTION 4.3_KSEPK

HINGED EMERGENCY RELIEF VALVE PRESSURE RELIEF

INTRODUCTION

The model KSEPK is designed to provide emergency pressure relief for storage tanks when exposed to overpressures that are not handled by standard tank vents. These vents provide the capacity to meet API standard 2000 for emergency venting due to fire exposure when properly sized. These covers also provide quick easy access for tank inspection and maintenance.

Setting Pressure

KSEPK Permanent Setting	Min. 50 mmW.C ~ Max. 700 mmW.C
-------------------------	--------------------------------

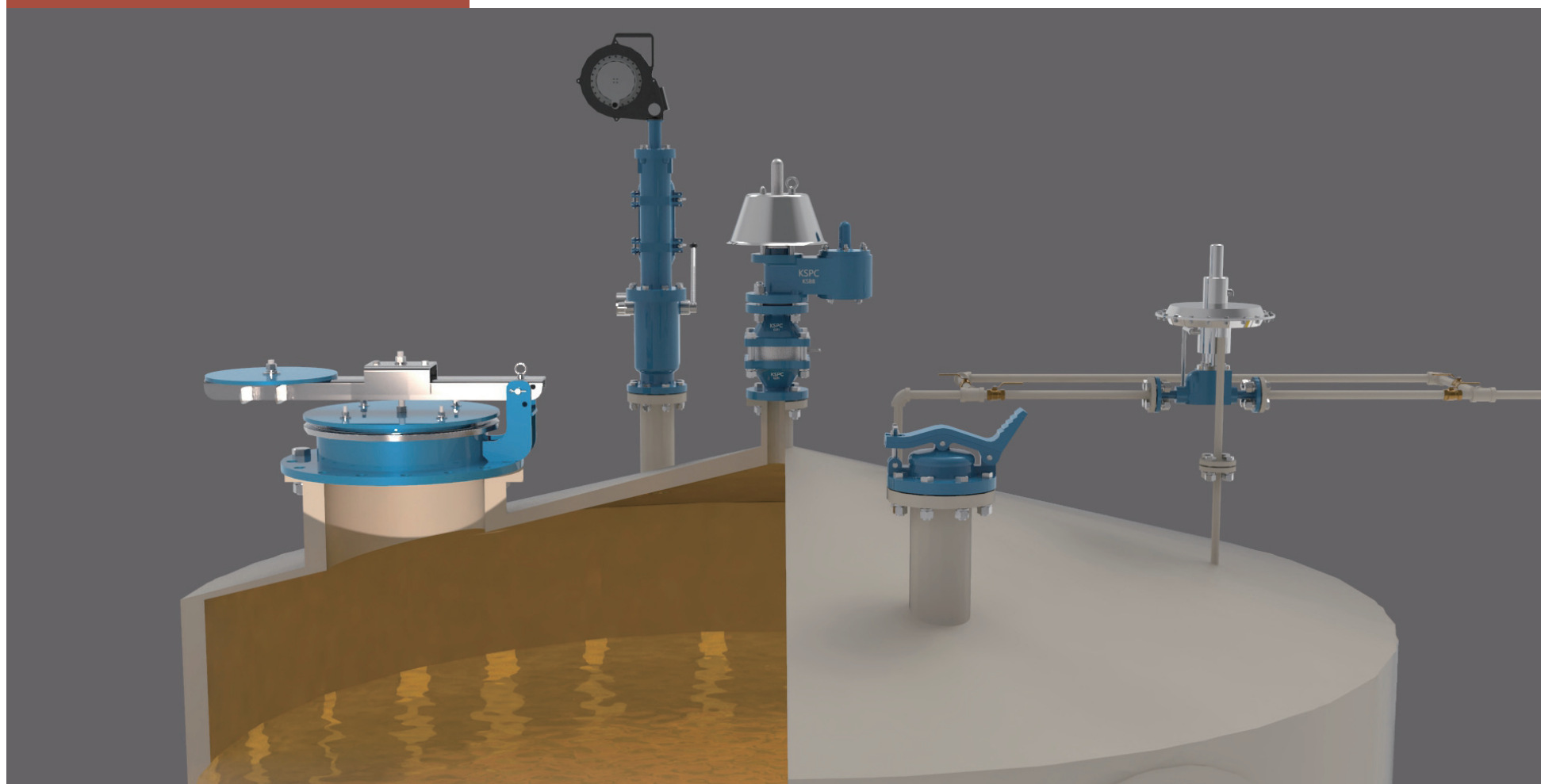
Body Materials Carbon Steel, SS304 and SS316 with various trims
(Different materials available on request)

Sizes range DN 400, 450, 500 and DN 750 with ASME 150Lb or API 650 flanges
(Different connections available on request)

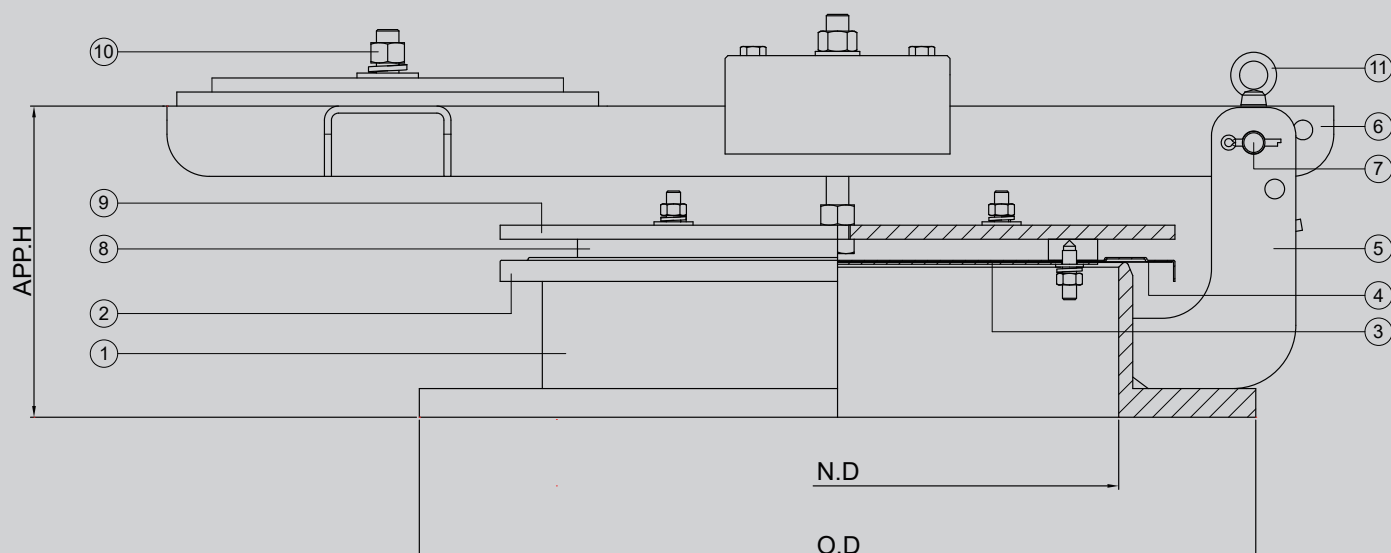
Rules & Certifications API 2000 & ATEX / KFI

Optimum / optional Design & Arrangements Stem Jacket type, Steam Tracing type, Proximity type, Teflon Coating/Lining type

APPLICATION



OUTLINE DRAWING



DIMENSION TABLE

SIZE		16"	18"	20"	24"
N.D		400	450	500	600
O.D	API 650	-	-	650/660	750/762
	ASME 150#	595	635	700	815
Approx. H	MIN.	210	210	210	210
	MAX.	250	250	250	250

NOTE CERTIFIED DIMENSIONS AVAILABLE UPON REQUEST (STD : API650).

COMPONENT MATERIAL

ITEM NO	COMPONENT	BODY	CARBON STEEL	SS304	SS316L
		TRIM	SS304	SS304	SS316/SS316L
1	BODY		A216-WCB	A351-CF8	A351-CF8M
2	DISC		SS304	SS304	SS316L
3	DISC PLATE		SS304	SS304	SS316L
4	DIAPHRAGM		TEFLON		
5	HINGE		CARBON STEEL	SS304	SS316L
6	ARM		CARBON STEEL	SS304	SS316L
7	HINGE PIN		SS304	SS304	SS316
8	BASE RING		CARBON STEEL	SS304	SS316L
9	LOADING WEIGHT		CARBON STEEL	CARBON STEEL or SS304	CARBON STEEL or SS316L
10	BOLT/NUT		SS304	SS304	SS316
11	LIFTING EYE NUT		SS304	SS304	SS316