


## SECTION 4.4\_KSEPKJ


# HINGED EMERGENCY RELIEF VALVE PRESSURE RELIEF WITH STEAM JACKET


### INTRODUCTION

 **The model KSEPKJ** is designed to provide emergency pressure relief for storage tanks when exposed to overpressures that are not handled by standard tank vents. These vents provide the capacity to meet API standard 2000 for emergency venting due to fire exposure when properly sized. These covers also provide quick easy access for tank inspection and maintenance.

### Setting Pressure

KSEPKJ Permanent Setting	Min. 50 mmW.C ~ Max. 700 mmW.C
--------------------------	--------------------------------

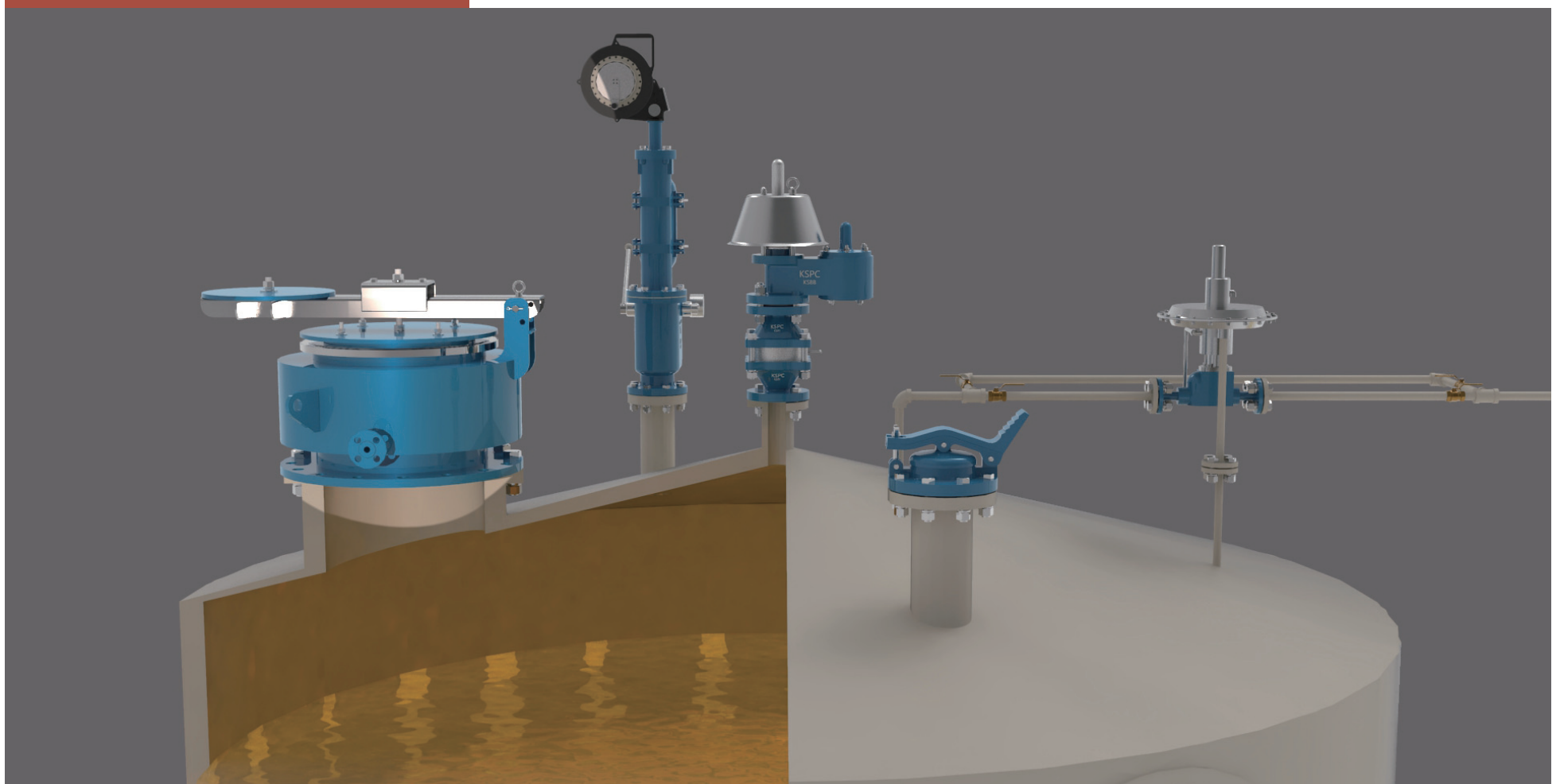
 **Body Materials** Carbon Steel, SS304 and SS316 with various trims  
(Different materials available on request)

 **Sizes range** DN 400, 450, 500 and DN 750 with ASME 150Lb or API 650 flanges  
(Different connections available on request)

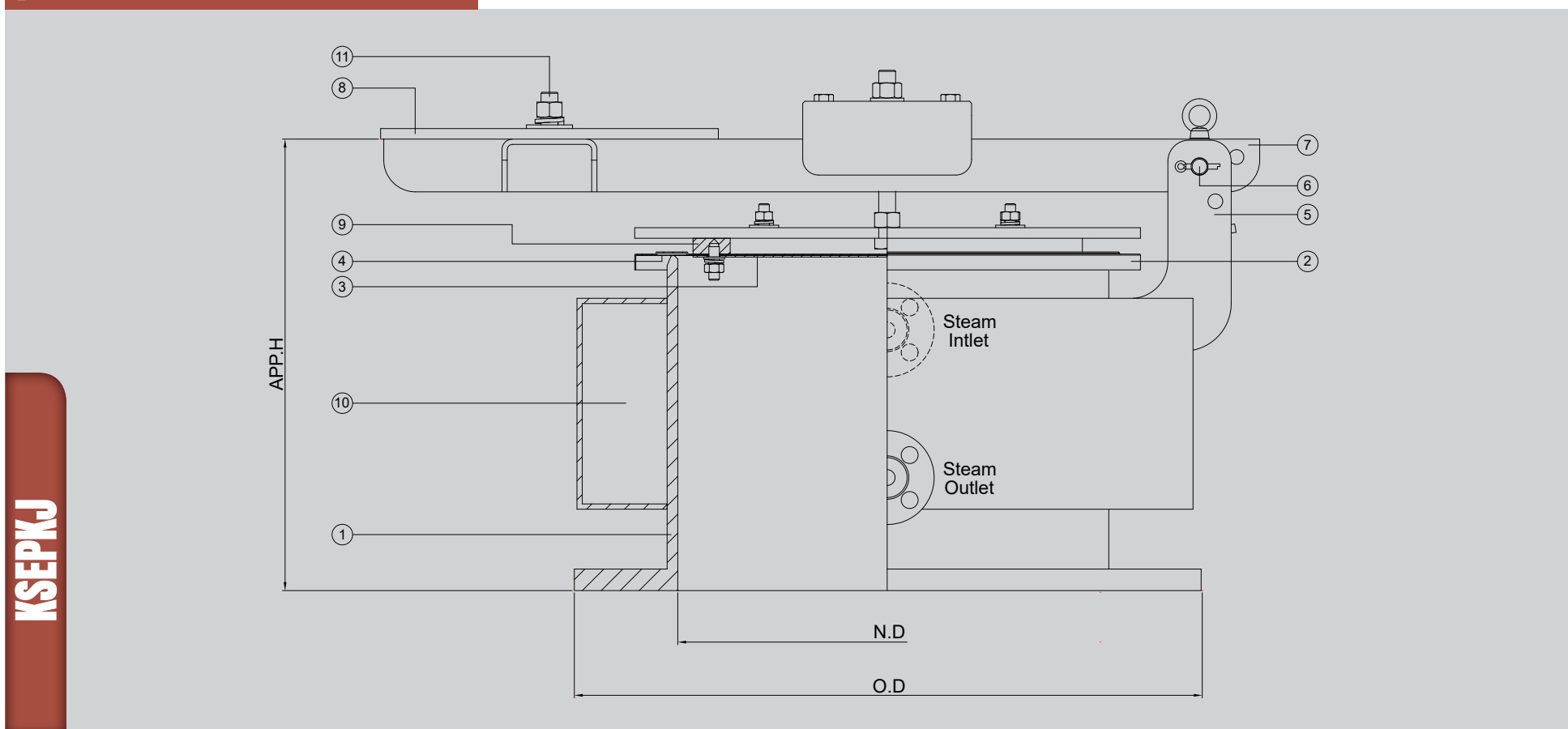
 **Rules & Certifications** API 2000

 **Optimum / optional Design & Arrangements** Steam Tracing type, Proximity type,  
Teflon Coating/Lining type

### APPLICATION



## OUTLINE DRAWING



## DIMENSION TABLE

SIZE		16"	18"	20"	24"
N.D		400	450	500	600
O.D	API 650	-	-	650/660	750/762
	ASME 150#	595	635	700	815
Approx. H	MIN.	450	450	450	450
	MAX.	500	500	500	500

**NOTE** CERTIFIED DIMENSIONS AVAILABLE UPON REQUEST (STD : API650).

## COMPONENT MATERIAL

ITEM NO	COMPONENT	BODY	CARBON STEEL	SS304	SS316L
		TRIM	SS304	SS304	SS304/SS316/SS316L
1	BODY		SS275	SS304	SS316L
2	DISC		SS304	SS304	SS316L
3	DISC PLATE		SS304	SS304	SS316L
4	DIAPHRAGM		TEFLON_FEP		
5	HINGE		SS275	SS304	SS316L
6	HINGE PIN		SS304	SS304	SS304
7	ARM		SS304	SS304	SS304
8	LOADING WEIGHT		SS275	SS304	SS316L
9	BASE RING		SS275	SS304	SS316L
10	STEAM JACKET		SS275	SS304	SS316L
11	BOLT/NUT		SS304	SS304	SS316